

4

3

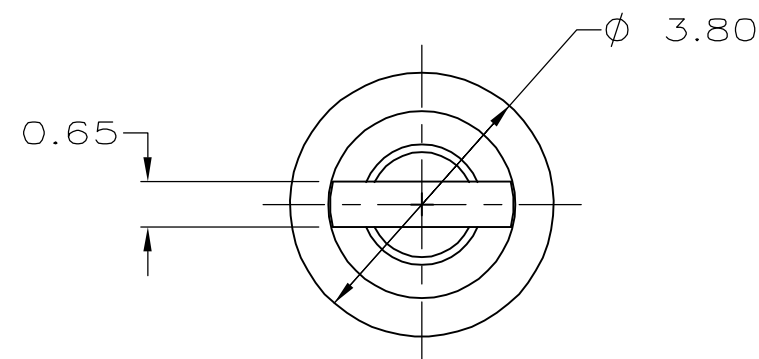
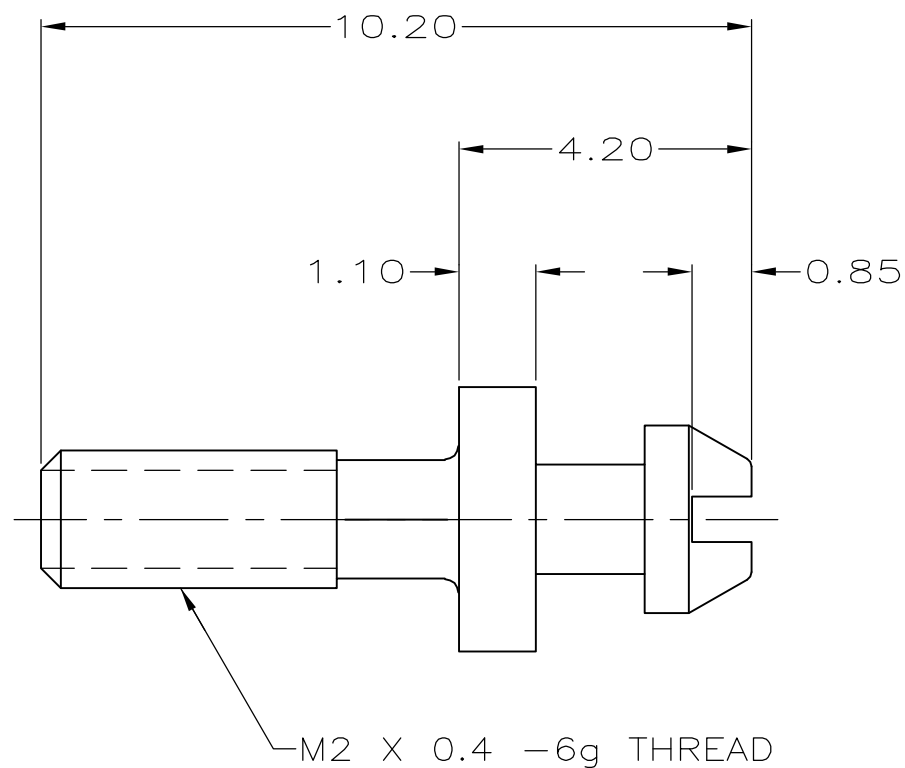
2

1

THIS DRAWING IS UNPUBLISHED. RELEASED FOR PUBLICATION -,- .
 © COPYRIGHT - BY TYCO ELECTRONICS CORPORATION. ALL RIGHTS RESERVED.

LOC	DIST	REVISIONS					
GP	00	P	LTR	DESCRIPTION	DATE	DWN	APVD
			B	REVISED PER ECO-06-000326	17APR06	BM	SS

△ 1 MATERIAL:
 STAINLESS STEEL PER TYCO 100-222-1
 (UNS S30300). COLD FINISHED.



	200	787003-3
OBSOLETE	2	787003-2
	QTY	PART NUMBER

THIS DRAWING IS A CONTROLLED DOCUMENT.		DWN	S.G.SMITH	08/20/93	Tyco Electronics Corporation Harrisburg, PA 17105-3608		
DIMENSIONS:		CHK	J.J.CONSOLO	08/20/93			
mm		APVD			NAME		
		PRODUCT SPEC			LATCHING POST, BOARDMOUNT, 0.8mm CHAMP		
TOLERANCES UNLESS OTHERWISE SPECIFIED:		APPLICATION SPEC			RESTRICTED TO		
0 PLC ± -		108-1471			SIZE	CAGE CODE	DRAWING NO
1 PLC ± -		-			A3	00779	C=787003
2 PLC ± 0.13		-			-		
3 PLC ± -		WEIGHT			-		
4 PLC ± -		CUSTOMER DRAWING			SCALE	SHEET	REV
ANGLES ± -		-			10:1	1 OF 1	B
MATERIAL		FINISH			-		
△ 1		-			-		